

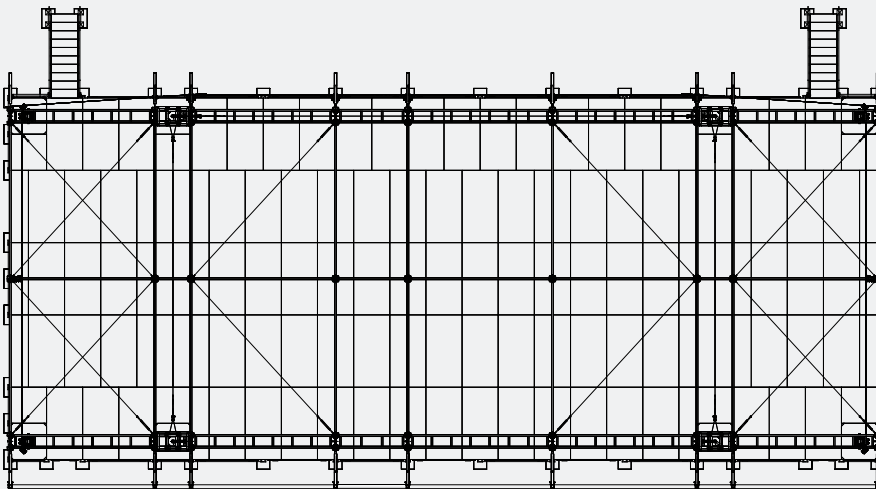
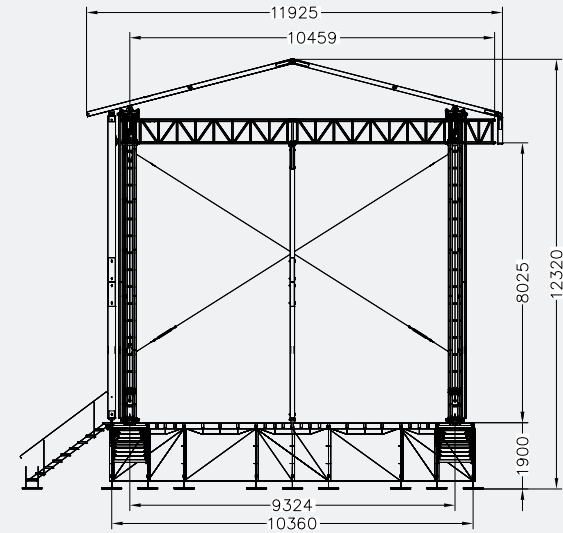
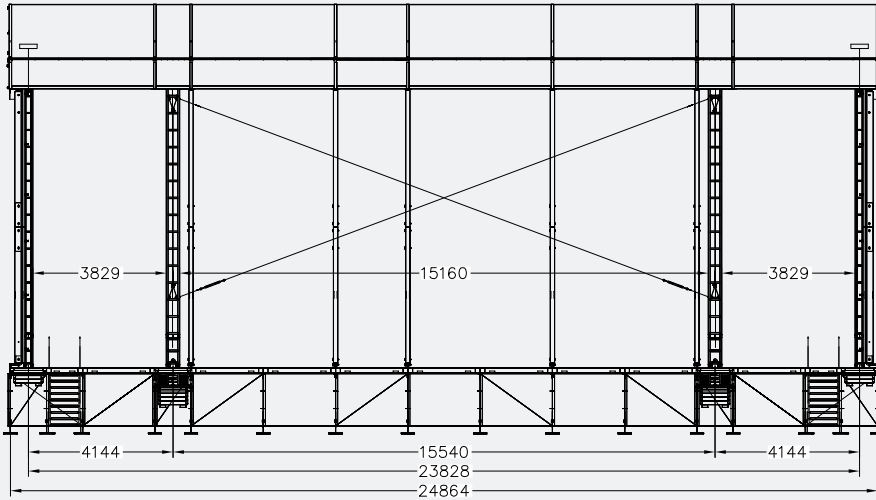


ROOF 25x10

A COMPACT SOLUTION FOR A CROWD  
UP TO 10.000 PEOPLE



# ROOF 25X10



## PROPERTIES

- Performance area** > 15m x 10m + covered side wings
- Floor height** > adjustable between 1,9m and 2,4m
- Clearance** > 8m
- Roof capacity (central area)** > 6.000kg equally spread
- PA wings capacity** > 3.000 kg/wing
- Floor capacity** > 500 kg/m<sup>2</sup>